

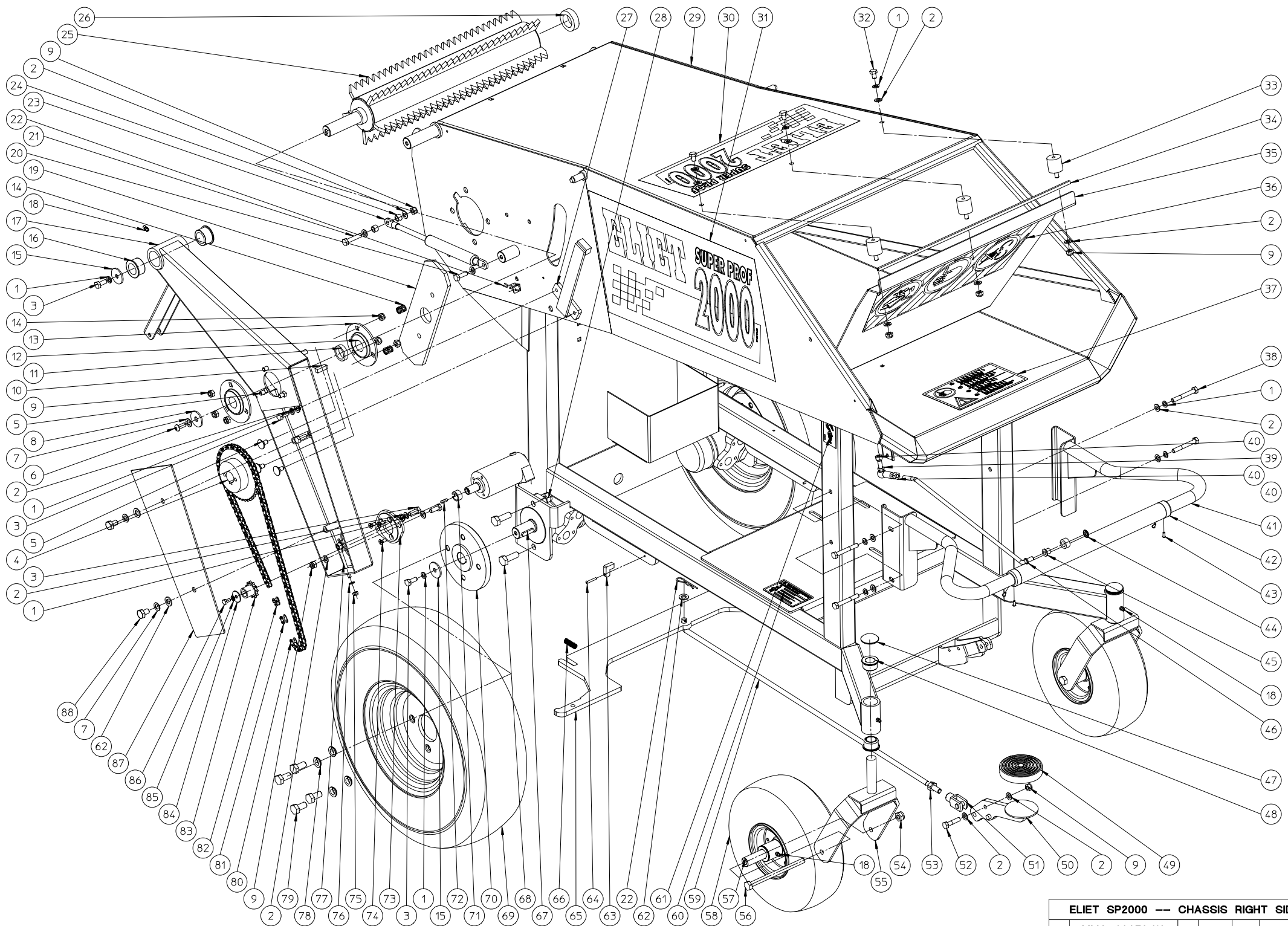
ELIET SPARE PARTS MANUAL

SUPER PROF 2000

OVERVIEW OF EXPLODE VIEW DRAWINGS

	DRAWING	DESCRIPTION	DRAW. REF.	MODIFIED
1	EXPLODED VIEW DRAWING 1	MACHINE LEFT SIDE	MMA 01 070 110-1	9-ott-2003
2	EXPLODED VIEW DRAWING 2	MACHINE RIGHT SIDE	MMA 01 070 120-1	9-ott-2003
3	EXPLODED VIEW DRAWING 3	ROTOR	MMA 01 070 130-1	9-ott-2003
4	EXPLODED VIEW DRAWING 4	HYDRAULIC SYSTEM	MMA 01 070 140-1	9-ott-2003
5	EXPLODED VIEW DRAWING 5	ELECTRICAL SYSTEM	MMA 01 070 150-1	9-ott-2003





ELIET SP2000 -- CHASSIS RIGHT SIDE

NO	MMA-01.070.110	REV	1	DATE	2003/10/22
----	-----------------------	-----	---	------	------------

ELIET PARTS MANUAL

SUPER PROF 2000

ASSEMBLY LIST 1

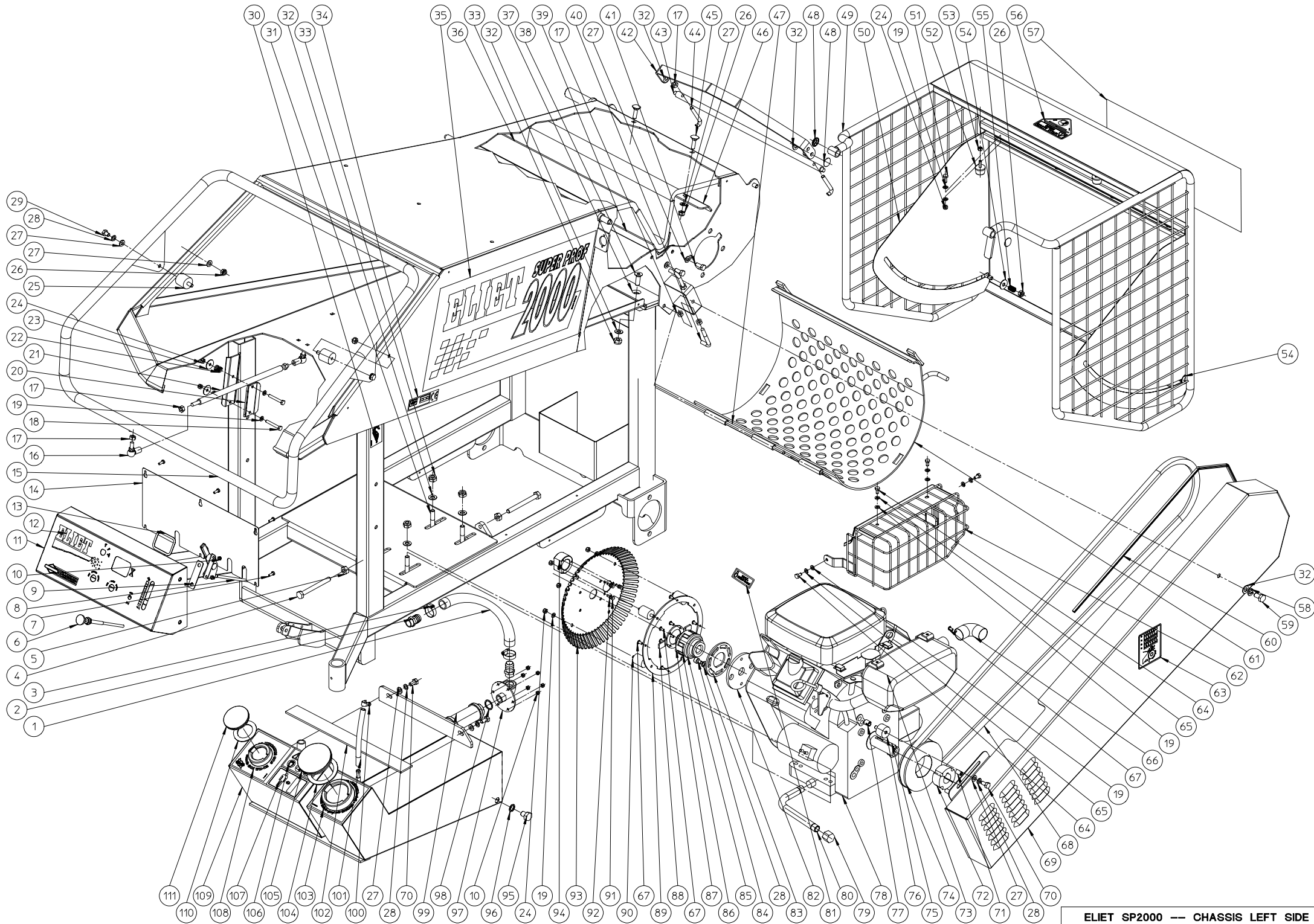
MACHINE LEFT SIDE

MMA 01 070 110-1

ITEM	PART NUMBER	DESCRIPTION	QUANTITY
1	BS 534 000 800	LOCK WASHER M8 DIN 6798	13
2	BS 531 000 800	WASHER M8 DIN 125	21
3	BS 512 000 820	BOLT M8X20 DIN 933	7
4	BA 161 040 251	SPROCKET SIMPLEX 40 TOOTH	1
5	BS 554 100 816	BOLT M8X16 DIN 603	6
6	BS 522 500 820	BOLT M10X20 DIN 7981	1
7	BS 534 001 000	LOCK WASHER M10 DIN 6798	3
8	BS 532 010 356	WASHER M10X35X3	1
9	BS 502 000 800	SELFLOCKING NUT M8 DIN 985	12
10	BB 341 080 826	KEY 8X8X26 DIN 6880	1
11	MPA 01 070 440	SPACER	1
12	BL 512 505 203	BEARING AS 205	2
13	BL 711 502 500	STEEL BEARING FLANGE PF 205	2
14	BV 911 000 010	SPRING DIA 14 X 2 X 16	2
15	BS 532 008 356	WASHER M8X35X3	3
16	BR 112 262 110	NYLON RING WITH COLAR (40/35.5/26X2+19)	2
17	MPA 01 070 120	ARM INFEEDROLLER	1
18	BY 100 106 100	GREASE FITTING M6	5
19	BR 910 000 040	NYLON COVER	1
20	BS 512 000 825	BOLT M8X25 DIN 933	1
21	BS 512 000 840	BOLT M8X40 DIN 933	1
22	BB 040 102 040	HAIRPIN COTTER 2MM	2
23	BV 521 010 001	GAS STRUTS 500N	1
24	MPA 01 070 420	BUSHING	2
25	MPA 01 070 030	INFEEDROLLER	1
26	BR 111 291 310	NYLON SPACING RING 44X28.5X13	1
27	MPA 01 070 250	ARM RETAINER	1
28	BS 502 001 200	NUT M12 DIN 985	4
29	MDT 01 070 301	CHASSIS	1
30	BQ 501 070 010	STICKER ELIET SP 2000 470X220	1
31	BQ 501 070 020	STICKER ELIET SP 2000 640X280	1
32	BS 512 000 812	BOLT M8X12 DIN 933	3

33	BR 600 130 301	RUBBER ANTIVIBRATION BLOCK 30X30 M8X16	3
34	BR 000 910 530	RUBBER EDGING	1
35	MPA 01 070 170	ANTIPROJECTION SHIELD	1
36	BQ 505 010 100	SAFETY STICKER 460X200	1
37	BQ 505 010 110	SAFETY STICKER 190X125 (INFEED)	1
38	BS 511 000 844	BOLT M8X60 DIN 931	4
39	BA 230 010 800	BALL JOINT M8	1
40	BS 501 000 800	NUT M8 DIN 934	2
41	MPA 01 070 060	PUSH BRACKET	1
42	BR 001 001 001	BUSHING	2
43	BB 221 104 100	STEEL PLUG 3.9 X 10 DIN 7337	4
44	BB 011 000 080	STARLOCK 8MM	1
45	BR 112 081 300	NYLON BUSHING (16X11X8X2+11)	1
46	MPA 01 070 380	ROD	1
47	BB 011 000 200	STARLOCK 20MM	2
48	BR 112 201 910	NYLON BEARING (35/30/20.5X2.5+16.5)	6
49	BR 900 000 110	RUBBER SOCK 90X18MM	1
50	MPA 01 070 130	BRAKE PEDAL	1
51	BS 556 001 000	FORK M10X20 DIN71752	1
52	BS 511 000 835	BOLT M8X35 DIN 931	1
53	BS 501 001 000	NUT M10 DIN 934	1
54	BS 502 001 000	NUT M10 DIN 985	2
55	MPA 01 070 140	FRONT WHEEL FORK	2
56	BS 512 001 055	BOLT M10 X 150 DIN 933	2
57	MPA 01 070 390	FRONT WHEEL AXLE	2
58	BW 029 020 100	FRONT WHEEL 4.00-4	2
59	MPA 01 070 190	BRAKE ROD	1
60	BQ 505 010 040	SAFETY STICKER SPARKPLUG 60X100	1
61	BQ 501 060 090	STICKER HOOK ATTACHEMENT	1
62	BS 531 001 000	WASHER M10 DIN 125	3
63	BR 910 000 050	NYLON TOUCH BLOCK	2
64	BB 221 004 250	STEEL PLUG 3.9 X 25 DIN 7337	2
65	MPA 01 070 200	BRAKE	1
66	BV 907 000 020	SPRING 10 X 1 X 60	2
67	BB 351 080 725	KEY 8X7X32 DIN 6885A	2
68	BS 512 001 235	BOLT M12X35 DIN 933	4
69	BW 054 060 000	REAR WHEEL 6,00-9 6PR	2
70	BA 281 504 501	HUB REAR WHEEL	2
71	MPA 01 070 430	SPACER	1
72	BB 351 050 515	KEY 5X5X16 DIN 6885A	1

73	BH 330 600 000	FLANGE HYDRAULIC ENGINE	1
74	BS 044 600 810	BOLT M6X14 ISO 7046	3
75	BS 502 000 600	SELFLOCKING NUT M6 DIN 985	1
76	BS 531 000 600	WASHER M6 DIN 125	1
77	BS 551 100 646	EYEBOLT M6X70 /M8 DIN 444	1
78	BS 535 301 210	LOCK CUPWASHER M12 DIN 74361	8
79	BS 512 301 225	BOLT M12X1.5X25 DIN 933	8
80	BA 101 104 020	CHAIN SIMPLEX 3/8"X7/32" 104 LINKS	1
81	BA 151 200 000	CONNECTING CHAINLINK 3/8"X7/32"	1
82	BA 151 400 000	CONNECTING CHAIN LINK (1/2) 3/8"X7/32"	1
83	BA 161 011 163	SPROCKET SIMPLEX 25 TOOTH	1
84	BS 532 006 253	WASHER M6X25X1.5	1
85	BS 534 000 600	LOCKING WASHER M6 DIN 6798	1
86	BS 512 000 612	BOLT M6X12 DIN 933	1
87	MPA 01 070 040	COVER FOR CHAINTRANSMISSION	1
88	BS 512 001 016	BOLT M10X16 DIN 933	2



ELIET SP2000 -- CHASSIS LEFT SIDE

NO	MMA-01.070.120	REV	1	DATE	2003/10/22
----	-----------------------	-----	---	------	------------

ELIET PARTS MANUAL

SUPER PROF 2000

ASSEMBLY LIST 2

MACHINE RIGHT SIDE

MMA 01 070 120-1

ITEM	PART NUMBER	DESCRIPTION	QUANTITY
1	BR 200 219 038	SUCKING HOSE	1
2	BT 136 260 820	INSERT CONNECTOR FOR HOSE 20 X 1/2	2
3	BT 670 117 290	HOSE CLAMP 17X29 MM	2
4	BS 512 001 050	BOLT M10X100 DIN 933	2
5	BS 501 001 000	NUT M10 DIN 934	2
6	BK 181 151 060	CHOKE CONTROL	1
7	BS 549 014 813	BOLT M6X16 DIN 7981	6
8	BM 260 692 541	THROTTLE CONTROL	1
9	MPA 01 070 280	SPACER	1
10	BS 502 000 500	SELFLOCKING NUT M5 DIN 985	8
11	MPA 01 070 100	DASHBOARD	1
12	BQ 501 060 030	STICKER DASHBOARD	1
13	MPA 01 070 360	WINDOW	1
14	MPA 01 070 050	DASHBOARD COVER	1
15	MPA 01 070 150	CONTROL HANDLE BAR INFEED ROLLER	1
16	BA 230 010 800	BALL JOINT M8	2
17	BS 501 000 800	NUT M8 DIN 934	9
18	BS 512 000 641	BOLT M6X45 DIN 933	2
19	BS 531 000 600	WASHER M6 DIN 125	18
20	MPA 01 070 310	CONTROL BRAKE	1
21	MPA 01 070 370	ROD	1
22	BV 911 000 010	SPRING DIA 14 X 2 X 16	2
23	BS 532 006 253	WASHER M6X25X1.5	2
24	BS 502 000 600	SELFLOCKING NUT M6 DIN 985	10
25	BR 600 130 301	ANTI VIBRATION BLOCK 30X30B M8X16 70 SHORE	2
26	BS 502 000 800	SELFLOCKING NUT M8 DIN 985	10
27	BS 531 000 800	WASHER M8 DIN 125	17
28	BS 534 000 800	LOCKING WASHER M8 DIN 6798	6
29	BS 512 000 812	BOLT M8X12 DIN 933	2
30	BQ 501 060 090	STICKER HOOK ATTACHEMENT	1
31	MPA 01 070 230	ENGINE FIXING PLATE	1
32	BS 531 001 000	WASHER M10 DIN 125	11

33	BS 502 001 000	SELFLOCKING NUT M10 DIN 985	8
34	BQ 505 010 010	IDENTITY STICKER CE 120X30	1
35	BQ 501 070 020	STICKER ELIET SP 2000 640X280	1
36	BR 900 001 110	SILENCER	1
37	MPA 01 070 180	ANVIL	1
38	BS 522 101 030	BOLT M10X10 DIN 7991	4
39	MPA 01 070 320	SUPPORT FOR SILENCER	1
40	MPA 01 010 180	BELTGUIDE	2
41	BS 512 000 820	BOLT M8X20 DIN 933	4
42	MPA 01 070 020	LEVER	1
43	MPA 01 070 220	AXLE	1
44	MPA 01 070 400	ADJUSTABLE HOOK	2
45	BS 554 100 830	BOLT M8X30 DIN 603	2
46	MPA 01 070 330	RETAINER FOR SILENCER	1
47	MPA 01 070 210	ROD	1
48	BB 011 000 090	STARLOCK 9MM	4
49	MPA 01 070 080	REAR SAFETY GUARD	1
50	MPA 01 070 090	ANTI PROJECTION GUARD	1
51	BS 512 000 616	BOLT M6X16 DIN 933	4
52	BR 600 425 170	RUBBER DAMPER M6X18 D:25 L:17	2
53	BS 501 000 600	NUT M6 DIN 934	2
54	BS 532 008 253	WASHER M8X25X1.5	4
55	BV 907 000 010	SPRING 12 X 1.5 X 16	2
56	BQ 505 010 070	SAFETY STICKER (HANDCUTS) 100X80	1
57	BQ 501 070 010	STICKER ELIET SP 2000 470X220	1
58	BS 533 001 000	LOCKING WASHER M10 DIN 127	1
59	BS 512 001 020	BOLT M10X20 DIN 933	1
60	BR 000 911 120	GUARD EDGING	1
61	MPA 01 070 070	CALIBRATING GRATING	1
62	BM 261 300 100	MUFFLER GUARD	1
63	BQ 505 010 130	SAFETY STICKER (BELTTRANSMISSION) 100X80	1
64	BS 512 000 612	BOLT M6X12 DIN 933	4
65	BS 533 000 600	LOCKING WASHER M6 DIN 127	4
66	BT 122 172 828	COPPER ELBOW 28MM	1
67	BB 221 005 100	STEEL PLUG 4.8X10 DIN 7337	9
68	BA 521 323 600	BELT XPA 2360 QUAD-POWER	1
69	MPA 01 070 160	BELT GUARD	1
70	BS 512 000 816	BOLT M8X16 DIN 933	3
71	BB 501 310 160	SETSCREW 3/8"X5/8"	2
72	BB 501 231 600	TAPER LOCK TL1610-1"	1

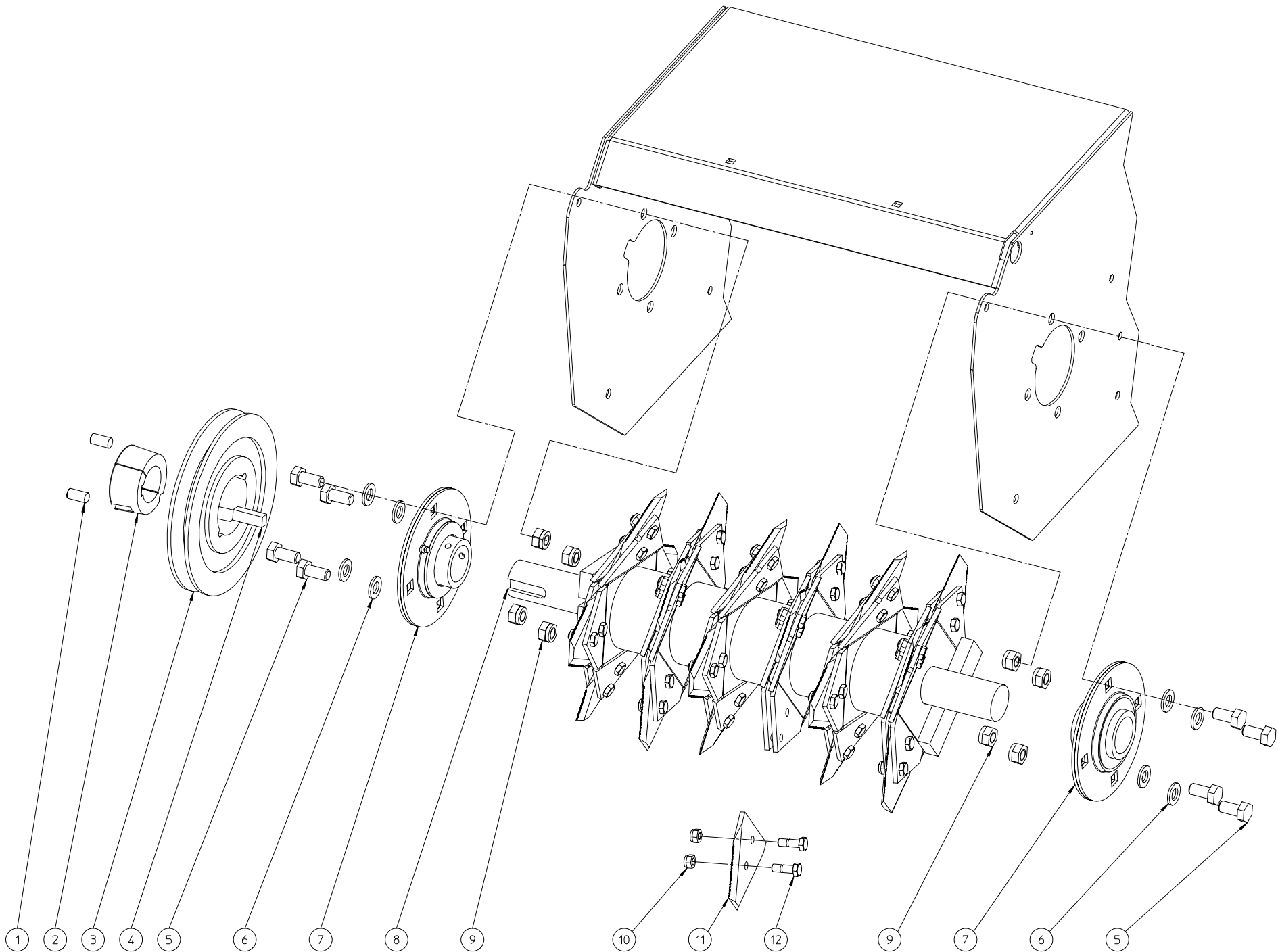
73	BM 261 300 200	MUFFLER	1
74	BA 563 712 501	PULLEY SPB 125 FOR TAPERLOCK TL1610	1
75	BB 342 064 657	KEY 6.35X6.35X57 DIN 6880	1
76	BR 600 130 201	ANTIVIBRATION BLOCKS 30X20B M8X20	1
77	BS 747 600 812	THREAD INSERT TYPE 300	1
78	ENGINE	SEE BOTTOM OF THE PAGE	1
79	BT 174 150 600	TERMINAL NUT 3/8"	1
80	BM 261 300 400	DRAINING PIPE	1
81	BQ 505 010 030	STICKER MAX 3200RPM 90X25	1
82	MPA 01 070 340	ATTACHMENT DISK FOR ELASTIC COUPLING	1
83	MPA 01 070 260	CONNECTING DISK FOR ELASTIC COUPLING	1
84	BS 521 100 812	BOLT M8X12 DIN 912	1
85	BA 201 232 000	ELASTIC COUPLING ALU FLANGE (ENGINE SIDE)	1
86	BA 201 240 000	ELASTIC COUPLING RUBBER FLECTOR	1
87	BA 201 220 101	ELASTIC COUPLING ALU FLANGE (PUMP SIDE)	1
88	MPA 01 070 270	ROTATION SPEED REFERENCE	1
89	MPA 01 070 300	ENGINE HOUSING REINFORCEMENT	1
90	BR 600 125 301	ANTIVIBRATION BLOCK 25X30A M6X10	4
91	BS 512 000 516	BOLT M5X16 DIN 933	3
92	BS 533 000 500	LOCK WASHER M5 DIN 127	3
93	MPA 01 070 290	PUMPSUPPORT	1
94	BR 910 000 060	SENSOR ADAPTER	1
95	BS 512 001 216	BOLT M12X16 DIN 933	2
96	BH 809 012 100	SEAL 12 MM	2
97	MPA 01 070 240	HYDRAULIC OIL FILTER ADAPTER	1
98	BH 805 006 150	COPPER SEAL 6X10X1.5	1
99	BH 280 108 000	HYDRAULIC OIL FILTER 1/2"	1
100	BT 670 109 110	HOSE CLAMP	1
101	BR 200 207 018	PETROL HOSE	1
102	BR 900 001 240	RUBBER SPACER	1
103	BQ 501 060 040	STICKER FUEL TANK	1
104	BH 720 301 066	RUBBER SEAL FOR FUEL TANK D60	1
105	BH 720 101 060	CAP FOR FUEL TANK B60	1
106	BQ 505 010 050	SAFETY STICKER (PICTOGRAMS) 60X100	1
107	BQ 505 010 150	SAFETY STICKER (KEEP DISTANCE) 60X100	1
108	BQ 501 060 050	STICKER HYDRAULIC OIL TANK	1
109	MPA 01 070 110	FUEL - HYDRAULIC OIL TANK	1
110	BH 720 301 040	RUBBER SEAL HYDRAULIC OIL TANK D40	1
111	BH 720 101 040	CAP FOR HYDRAULIC OIL TANK B40	1

ENGINE

BM 201 318 001

B&S VANGUARD TWIN

18 HP



ELIET SP2000 -- ROTOR

NO	MMA-01.070.130	REV	1	DATE	2003/10/22
----	----------------	-----	---	------	------------

ELIET PARTS MANUAL

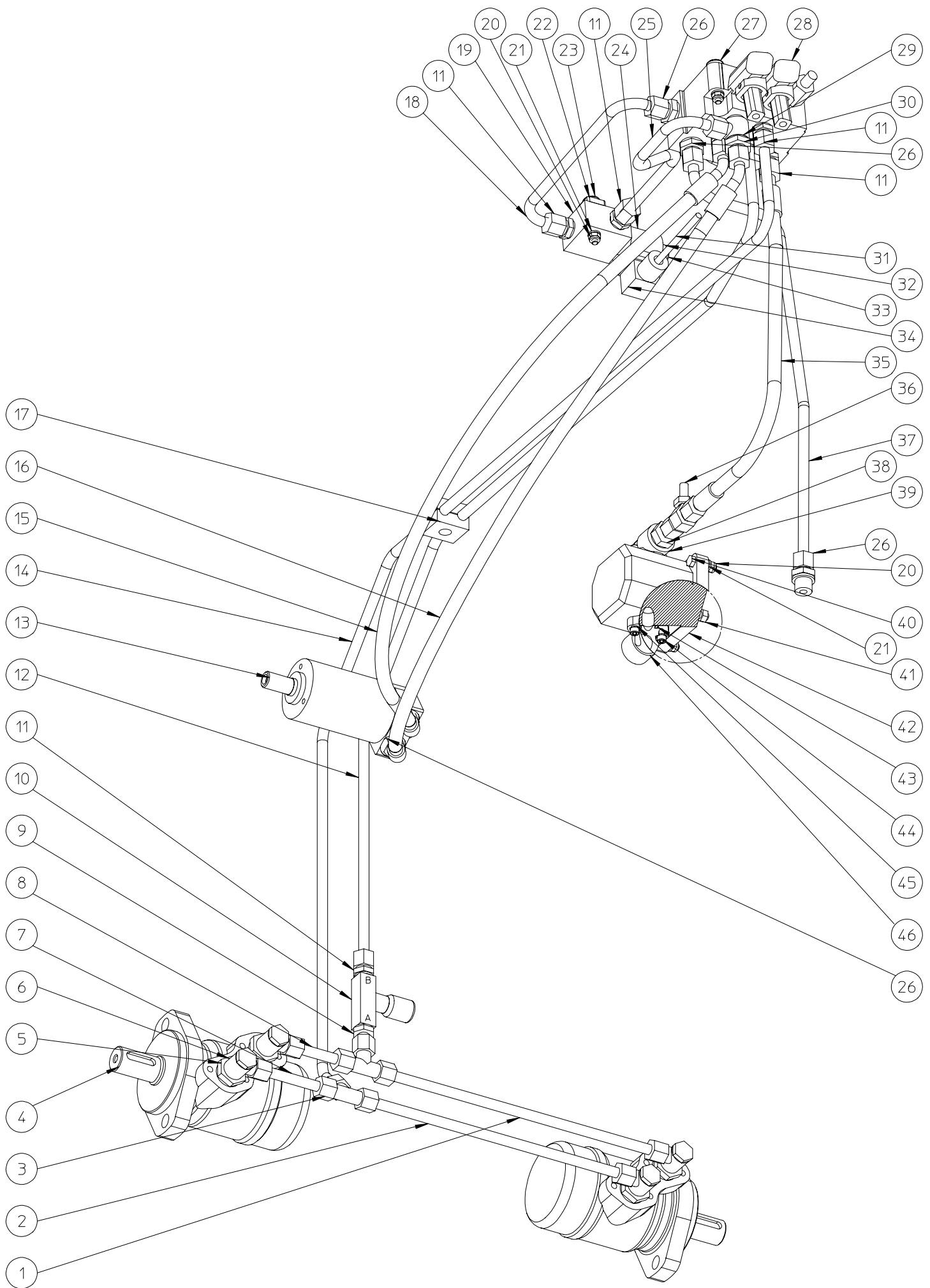
SUPER PROF 2000

ASSEMBLY LIST 3

ROTOR

MMA 01 070 130-1

ITEM	PART NUMBER	DESCRIPTION	QUANTITY
1	BB 501 311 220	SETSCREW 7/16"X7/8"	2
2	BB 501 154 000	TAPERLOCK TL2012-40	1
3	BA 563 719 001	PULLEY SPB 190 FOR TAPERLOCK TL2012	1
4	BB 341 121 035	KEY 12X10X35 DIN 6880	1
5	BS 512 001 225	BOLT M12X25 DIN 933	8
6	BS 531 001 200	WASHER M12 DIN 125	8
7	BL 801 604 001	FLANGE BEARING UCPF-208	2
8	MPA 01 070 810	ROTOR	1
9	BS 502 001 200	SELFLOCKING NUT M12 DIN 985	8
10	BS 502 000 800	SELFLOCKING NUT M8 DIN 985	48
11	BU 101 300 200	STANDARD STEEL KNIFE	24
12	BS 011 000 827	BOLT M8X27 DIN931	48



ELIET SP2000 -- HYDRAULIC SYSTEM

NO	MMA-01.070.140	REV	1	DATE	2003/10/22
----	-----------------------	-----	---	------	------------

ELIET PARTS MANUAL

SUPER PROF 2000

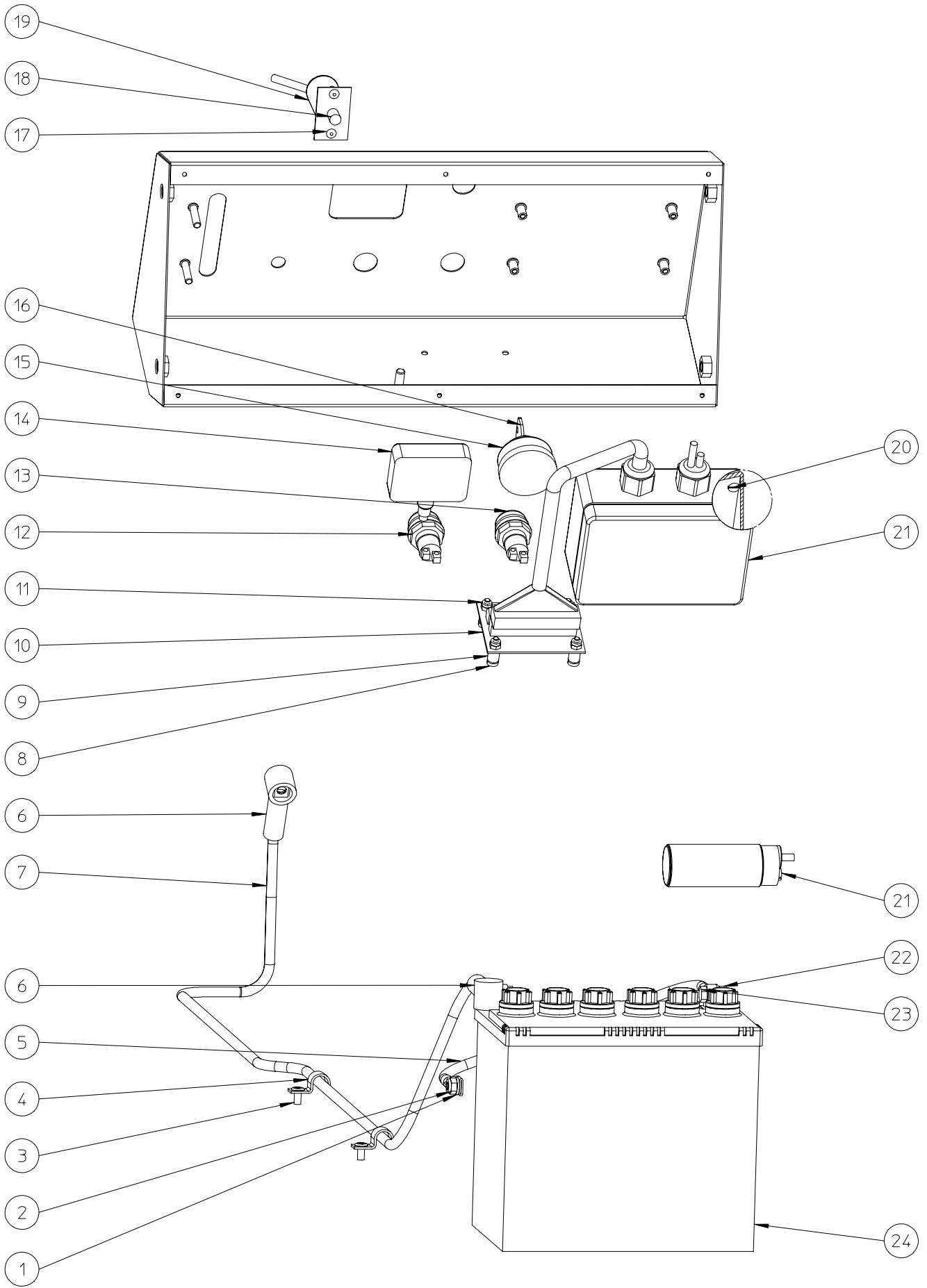
ASSEMBLY LIST 4

HYDRAULIC SYSTEM

MMA 01 070 140-1

ITEM	PART NUMBER	DESCRIPTION	QUANTITY
1	MPA 01 070 530	HYDRAULIC PIPE 10X317	1
2	MPA 01 070 520	HYDRAULIC PIPE 10X301	1
3	BH 510 011 000	T-COUPLING 10 L	2
4	BH 331 410 000	HYDRAULIC ENGINE 100CC	2
5	BH 514 100 804	REDUCTION STUD MALE/FEMALLE 1/2-1/4	4
6	BH 513 111 004	BANJO 10L X 1/4	4
7	MPA 01 070 510	HYDRAULIC PIPE 10X87	1
8	MPA 01 070 500	HYDRAULIC PIPE 10X71	1
9	BH 512 611 004	REDUCER COUPLING 10 X 1/4	1
10	BH 430 110 400	FLOW CONTROL VALVE	1
11	BH 509 211 004	MALE STUD COUPLING 10L X 1/4	7
12	MPA 01 070 450	HYDRAULIC PIPE (FORWARD DRIVE)	1
13	BH 331 203 200	HYDRAULIC ENGINE 32CC	1
13a	BM 201 318 001	BH331900040 KIT PARAOLI MOTORE IDRAULICO 32 cc	1
14	MPA 01 070 460	HYDRAULIC PIPE (REVERSE DRIVE)	1
15	BH 551 040 870	HYDRAULIC HOSE 1/4 X 870 13H	1
16	BH 551 040 890	HYDRAULIC HOSE 1/4 X 895 12H	1
17	BH 711 020 010	PIPE CLAMP	6
18	MPA 01 070 490	RETURN)	1
19	BH 410 001 100	ELECTRO MAGNETIC VALVE 1/4	1
20	BS 502 000 600	SELFLOCKING NUT M6 DIN 985	7
21	BS 531 000 600	WASHER M6 DIN 125	7
22	MPA 01 070 350	SPACER	1
23	BS 554 100 642	BOLT M6X50 DIN 603	1
24	BH 410 001 300	SOLINOID 12 VDC	1
25	MPA 01 070 470	HYDRAULIC PIPE (ELECTRO MAGNETIC VALVE INPUT)	1
26	BH 509 211 006	MALE STUD COUPLING 10L X 3/8	5
27	BS 554 100 641	BOLT M6X45 DIN 603	2
28	BH 400 006 000	HYDRAULIC VALVE Y8	1
29	BH 513 011 004	BANJO 10L X 1/4	1
30	BH 509 221 018	MALE STUD COUPLING 10L X M18	1
31	BE 092 021 701	WIRE	1
32	BN 760 120 220	ALU NUT 1/4	1

33	BH 410 001 200	ELECTRO MAGNETIC VALVE SLIDE 1/4	1
34	BH 410 001 400	CONNECTOR	1
35	BH 551 040 440	HYDRAULIC HOSE 1/4 X 445 (PUMP PRESSURE)	1
36	BH 563 000 100	MANOMETER COUPLER 10L X M16X2	1
37	MPA 01 070 480	HYDRAULIC HOSE (PUMP RETURN)	1
38	BH 512 631 006	REDUCER COUPLING 10 X 3/8	1
39	BH 281 001 100	ELBOW COUPLING 30MM 3/8	1
40	BS 512 000 625	BOLT M6X25 DIN 933	4
41	BS 501 000 700	NUT M7 DIN 934	1
42	BH 210 103 100	HYDRAULIC PUMP 3.1CC	1
43	BH 802 015 250	O-RING Ø25	2
44	BS 512 100 420	BOLT M5X20 DIN 912	6
45	BS 533 000 500	LOCKING WASHER M5 DIN 127	6
46	BH 281 001 200	ELBOW COUPLING 30MM 1/2	1



ELIET PARTS MANUAL

SUPER PROF 2000

ASSEMBLY LIST 5

ELECTRICAL SYSTEM

MMA 01 070 150-1

ITEM	PART NUMBER	DESCRIPTION	QUANTITY
1	BS 531 000 600	WASHER M6 DIN 125	1
2	BS 502 000 600	SELFLOCKING NUT M6 DIN 985	1
3	BB 221 005 100	STEEL PLUG 4.8 X 10 DIN 7337	2
4	BE 043 200 100	CABLE CLIP	2
5	BE 090 181 311	BATTERY CABLE- TO GROUND	1
6	BR 701 010 150	TERMINAL COVER	2
7	BE 090 281 031	BATTERY CABLE - TO SOLINOID	1
8	BS 541 000 420	BOLT M4X20 DIN 84	4
9	BR 111 041 000	NYLON WASHER 8X4X10	4
10	BE 700 011 000	CONNECTING TERMINAL PRINT	1
11	BS 502 000 400	SELFLOCKING NUT M4 DIN 985	4
12	BE 530 040 120	GREEN LIGHT	1
13	BE 530 030 120	RED LIGHT	1
14	BE 412 730 400	MAINTENANCE METER	1
15	BM 260 692 318	IGNITION SWITCH	1
16	BM 260 691 959	IGNITION KEY	1
17	BB 221 104 100	ALUMINIUM PLUG 3.9 X 10 DIN 7337	2
18	BE 120 110 500	SAFETY SWITCH	1
19	BR 020 622 045	PLASTIC COVER D:25X45	1
20	BS 541 000 410	BOLT M4X10 DIN 84	4
21	BE 700 010 000	ABM POWER CONTROL	1
22	BS 501 000 600	NUT M6 DIN 934	2
23	BS 512 000 620	BOLT M6X20 DIN 933	2
24	BE 240 120 240	BATTERY 12V 24AH	1

SABRE ITALIA *di Cademartiri Allan & C. S.n.c.*

Via Aldo Moro, 45 – C.P. 103 – 36033 ISOLA VICENTINA (VI) ITALIA

Tel. 0444 977655 r.a. – Fax 0444 977200 – E-mail info@sabreitalia.com – <http://www.sabreitalia.com>

P.I. IT00498100247 - R.I. VI/116-7564 - R.E.A. VI132452 - CARIVERONA BANCA S.p.A. ISOLA VIC.NA - ABI 06355 - CAB 60430 - c/c 249-5-52